

SH-BROADCAST1

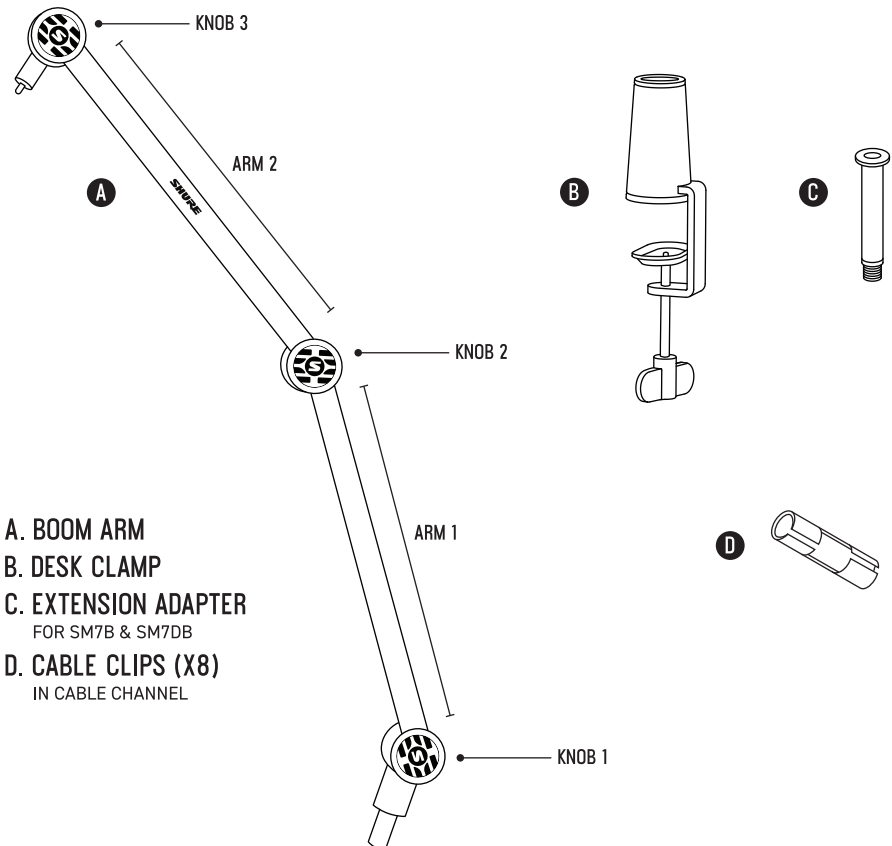
ARTICULATING MICROPHONE BOOM ARM
INSTRUCTION MANUAL

SHURE
BY GATOR

GENERAL INTRODUCTION:

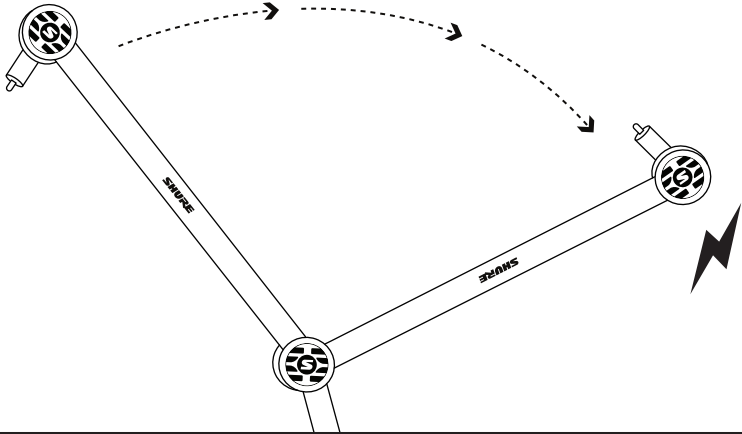
The Shure SH-BROADCAST1 is a desk-mounted microphone boom arm designed to be mounted on surfaces up to 2.17 inches (55mm) thick. It comes equipped with multiple adjustment knobs and allows for 360 degrees of rotation so you can position your microphone in the ideal spot. The arm is constructed from black powder-coated aluminum with a tension spring engineered for quiet and smooth movement. This makes the SH-BROADCAST1 a great choice for enhancing your desk setup for broadcasting, podcasting, or streaming. The spring-loaded articulating arm has a weight capacity of 4.4 lbs. (2kg) and can extend up to 32.25" (940mm) to accommodate heavy broadcast microphones. The threaded extension provides additional clearance, making it an excellent match for your preferred Shure SM7B, SM7dB, and MV7 microphones. The incorporated cable management channel also helps keep your desktop clutter-free.

COMPONENTS:



⚠ WARNING:

THIS PRODUCT HAS A PROGRESSIVE TENSION SPRING. IF NOT HANDLED PROPERLY, SPRING MAY RELEASE AND **BOOM ARM WILL SWING BACKWARDS**. BE SURE TO HOLD ARM IN PLACE WHEN ADJUSTING TENSION KNOBS UNTIL THEY ARE FULLY TIGHTENED AND THE TENSION SPRING IS CONTROLLED. ONCE ATTACHED, THE MICROPHONE WILL SERVE AS A COUNTERWEIGHT ON THE SPRING.

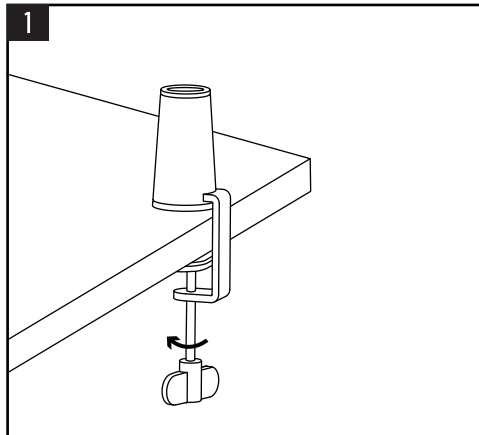


ASSEMBLY INSTRUCTIONS:

NOTE: BOOM ARM WILL NOT OPERATE PROPERLY UNLESS IT IS INSERTED INTO THE DESK MOUNT. IF NOT INSERTED INTO DESK MOUNT, THE KNOBS **WILL NOT** TURN AND THE ARM WILL BE DIFFICULT TO MANEUVER.

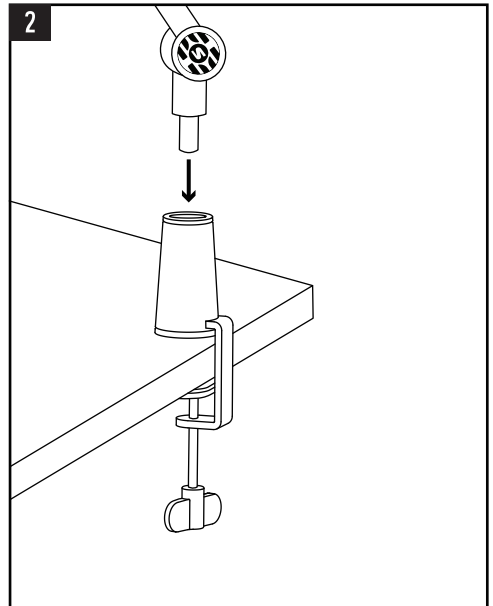
STEP 1

Secure desk mount (B) onto surface by twisting the handle until it is firmly tightened.



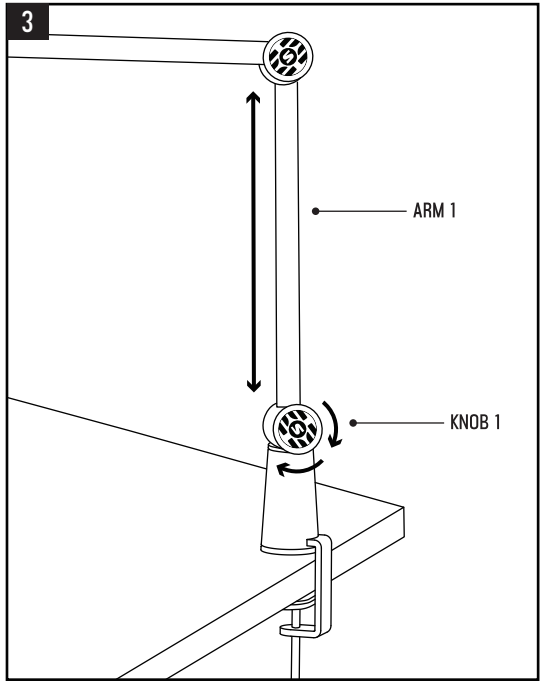
STEP 2

Once the desk mount is secured, insert the base of the boom arm (A) into the desk mount (B) hole until it is fully seated.



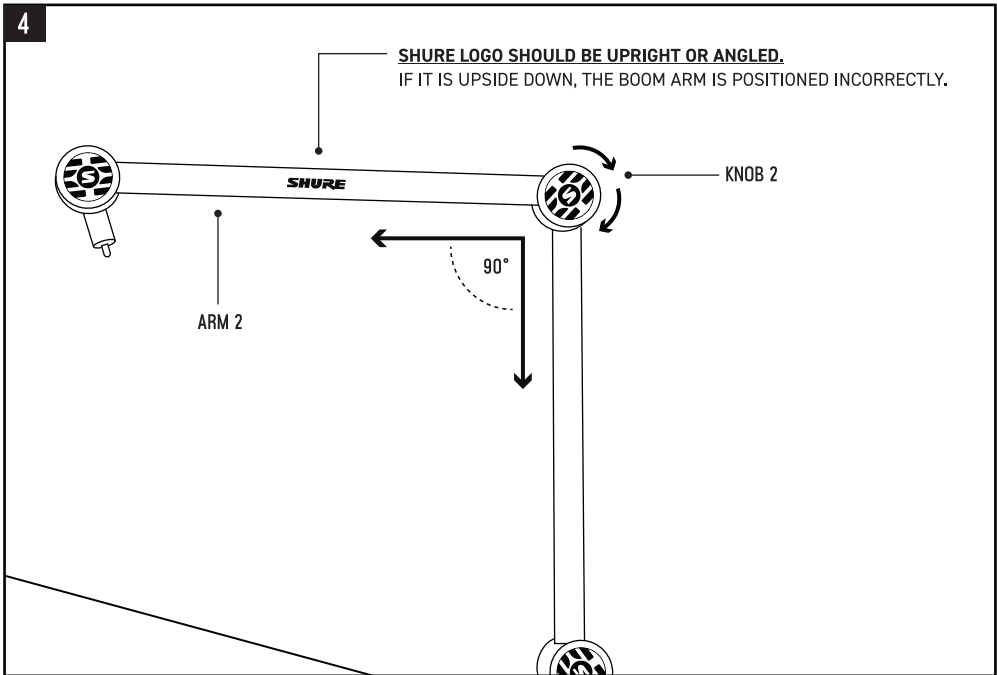
STEP 3

Adjust **ARM 1** into an upright/vertical position, then twist **KNOB 1** to secure in place.



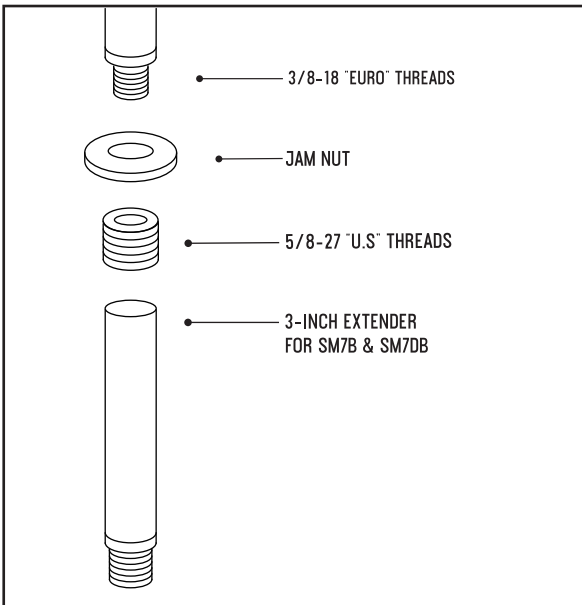
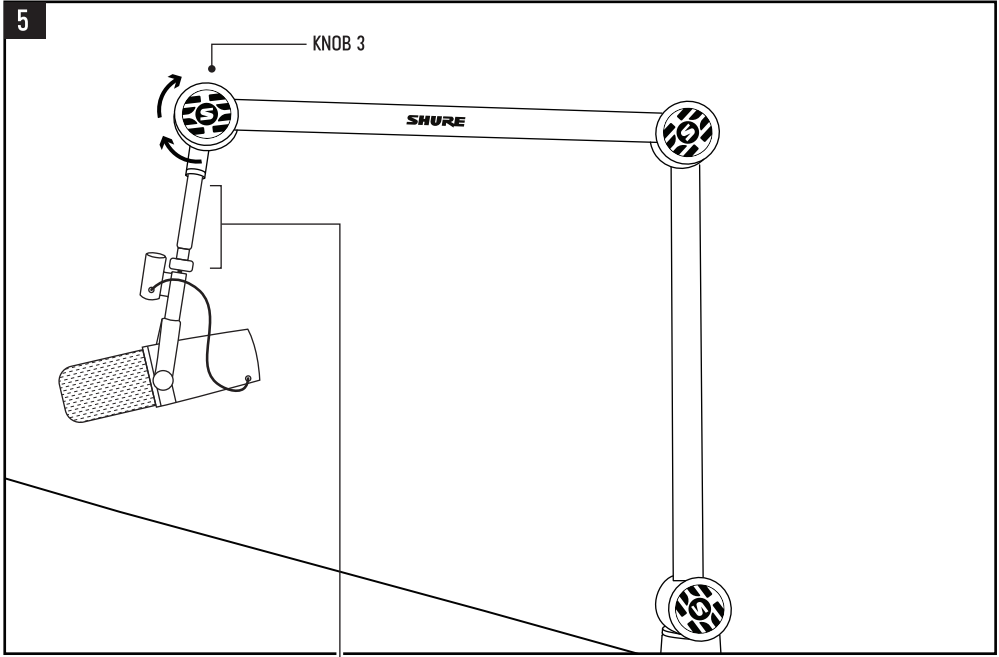
STEP 4

After tightening **KNOB 1**, situate **ARM 2** so it is horizontal and forms a 90 degree angle with **ARM 1**. Once **ARM 2** is horizontally positioned, twist **KNOB 2** to tighten the pivot in place.



STEP 5

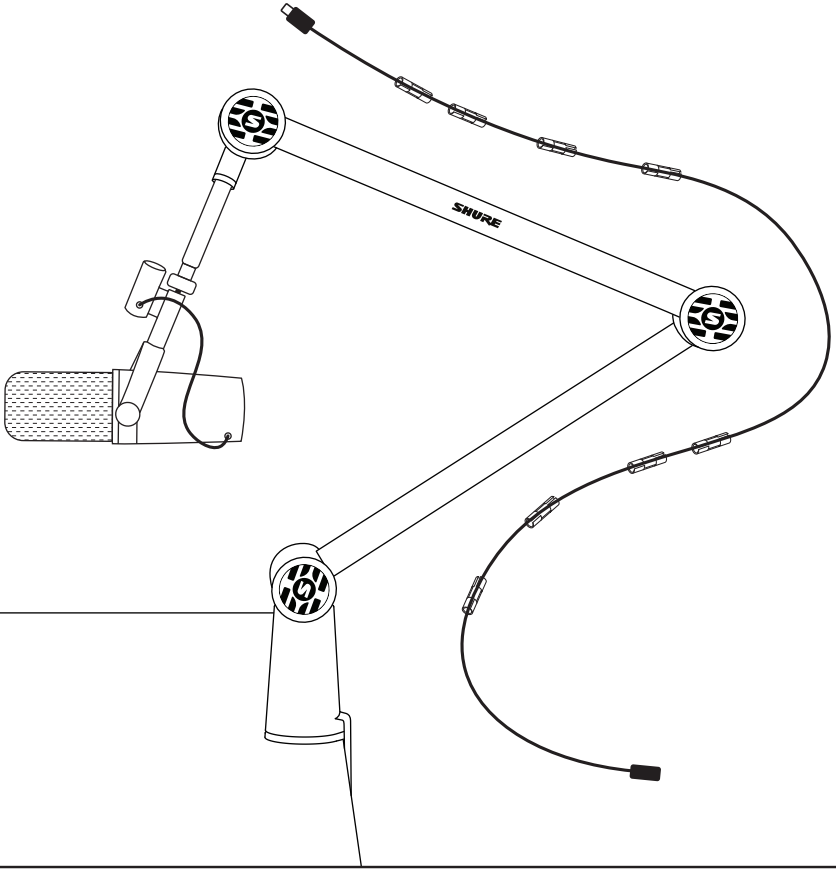
With **ARM 1** & **ARM 2** in position, install your microphone. Note, that using the Shure SM7B or SM7dB will require you to install the extension adapter (**C**) first. Then, attach your mic to the extension adapter once it is fully secure. Lastly, adjust your mic into position and tighten **KNOB 3** to secure the position. After each knob is tightened, the tension spring will be activated, and the boom arm can be adjusted freely.



STEP 6

Remove the tubular cable clips (D) from the cable channel and clip them onto your cable. Then insert the cable back into the cable channel. Allow slack to form a small loop at **KNOB 2**. After the cable has been routed through the cable channel, it can be plugged in.

6



SHURE

Official
Licensed
Product

Licensed by Gator Cases